

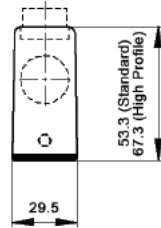
# EPIC® Rectangular Connectors



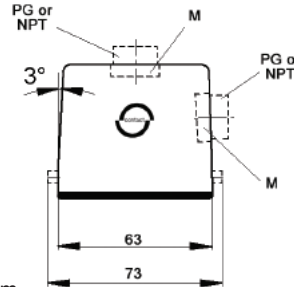
HA 10 Housings: Single Lever on Base

## TOP & SIDE ENTRY HOODS

### TOP ENTRY



All dimensions are in mm.



### SIDE ENTRY



**Specifications:** DIN 43652  
**Temperature Range:** -40°C to +125°C

**Protection class:** NEMA 4, NEMA 12, IP65  
**Material:** Aluminum alloy, powder coated

## STANDARD PROFILE

Position of Cable Entry	Size of Entry			Part Numbers			Complete your installation with a SKINTOP®, Pg 352			
	PG	NPT	Metric	PG	NPT	Metric	PG- Nylon	PG- Metal	Metric- Nylon	Metric-Metal
Top Entry	13	1/2"	20	10446000	104460NP	19446000	53015130	52015730	53111020	53112020
	16	1/2"	25	10446100	104461NP	19446100	53015140	52015740	53111030	53112030
Side Entry	16	1/2"	20	10445000	104450NP	19445000	53015140	52015740	53111020	53112020
	21	3/4"	25	10445500	104455NP	19445500	53015150	52015750	53111030	53112030

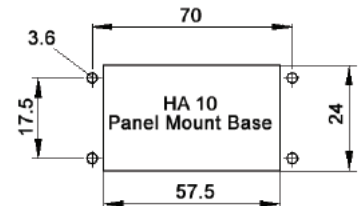
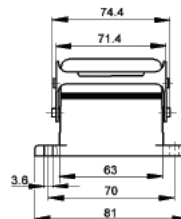
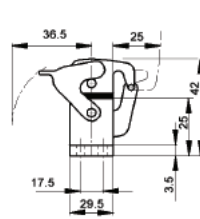
Top Entry Metric hoods do not come with a neck.

## HIGH PROFILE

Position of Cable Entry	Size of Entry			Part Numbers			Complete your installation with a SKINTOP®, Pg 352			
	PG	NPT	Metric	PG	NPT	Metric	PG- Nylon	PG- Metal	Metric- Nylon	Metric-Metal
Top Entry	16	1/2"	20	70460200	704602NP	79460200	53015140	52015740	53111020	53112020
	21	3/4"	25	70460400	704604NP	79460400	53015150	52015750	53111030	53112030
Side Entry	16	1/2"	20	70462200	704622NP	79462200	53015140	52015740	53111020	53112020
	21	3/4"	25	70462400	704624NP	79462400	53015150	52015750	53111030	53112030

High Profile Metric hoods do not come with a neck.

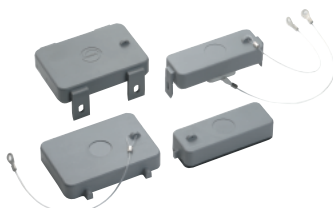
## PANEL MOUNT BASES



Without Dust Cover	With Dust Cover
104420C0	704440C0

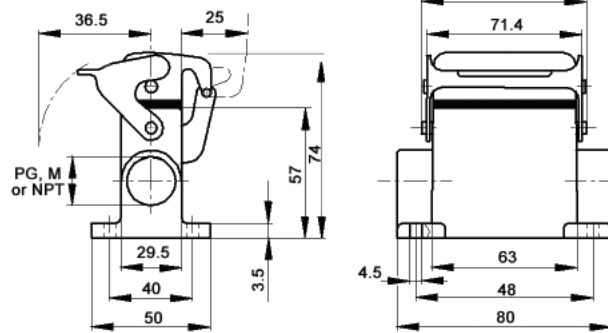
All dimensions are in mm.

## DUST COVERS WITH OR WITHOUT ATTACHMENT STRING



Material:	Thermoplastic Resin	Temperature:	-40°C to +125°C
Description		Part # with string	Part # without string
HA 10 Panel Mt or Surface Mt Base/ Cable Coupler hoods (includes gasket)		10457500	10457700
Dust cover for HA 10 Hoods		10457600	10457800

### SURFACE MOUNT BASES



All dimensions are in mm.

### WITHOUT DUST COVER

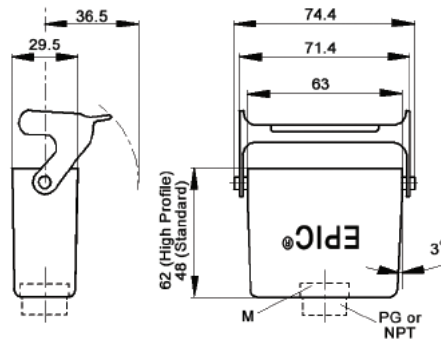
Number of Entries	Size of Entry			Part Numbers			Complete your installation with a SKINTOP®, Pg 352			
	PG	NPT	Metric	PG	NPT	Metric	PG- Nylon	PG- Metal	Metric- Nylon	Metric- Metal
1 Entry	16	1/2"	20	104481C0	104481NP	19448100	53015140	52015740	53111020	53112020
	21	3/4"	25	104480C0	104480NP	19448000	53015150	52015750	53111030	53112030
2 Entries	16	1/2"	20	104501C0	104501NP	19450100	53015140	52015740	53111020	53112020
	21	3/4"	25	104500C0	104500NP	19450000	53015150	52015750	53111030	53112030

### WITH DUST COVER

Number of Entries	Size of Entry			Part Numbers			Complete your installation with a SKINTOP®, Pg 352			
	PG	NPT	Metric	PG	NPT	Metric	PG- Nylon	PG- Metal	Metric- Nylon	Metric- Metal
1 Entry	16	1/2"	20	704552C0	704552NP	79455200	53015140	52015740	53111020	53112020
	21	3/4"	25	70455400	704554NP	79455400	53015150	52015750	53111030	53112030
2 Entries	16	1/2"	20	70456200	704562NP	79456200	53015140	52015740	53111020	53112020
	21	3/4"	25	70456400	704564NP	79456400	53015150	52015750	53111030	53112030

### CABLE COUPLER HOODS

PG



METRIC



All dimensions are in mm.

Profile	Size of Entry			Part Numbers			Complete your installation with a SKINTOP®, Pg 352			
	PG	NPT	Metric	PG	NPT	Metric	PG- Nylon	PG- Metal	Metric- Nylon	Metric- Metal
Standard	13.5	1/2"	20	10439000	104390NP	19439000	53015130	52015700	53111020	53112020
	16	1/2"	25	704500C0	704500NP	79450000	53015140	52015740	53111030	53112030
High	21	3/4"	25	704504C0	704504NP	79450400	53015150	52015750	53111030	53112030

Cable Coupler Metric hoods do not come with a neck.